

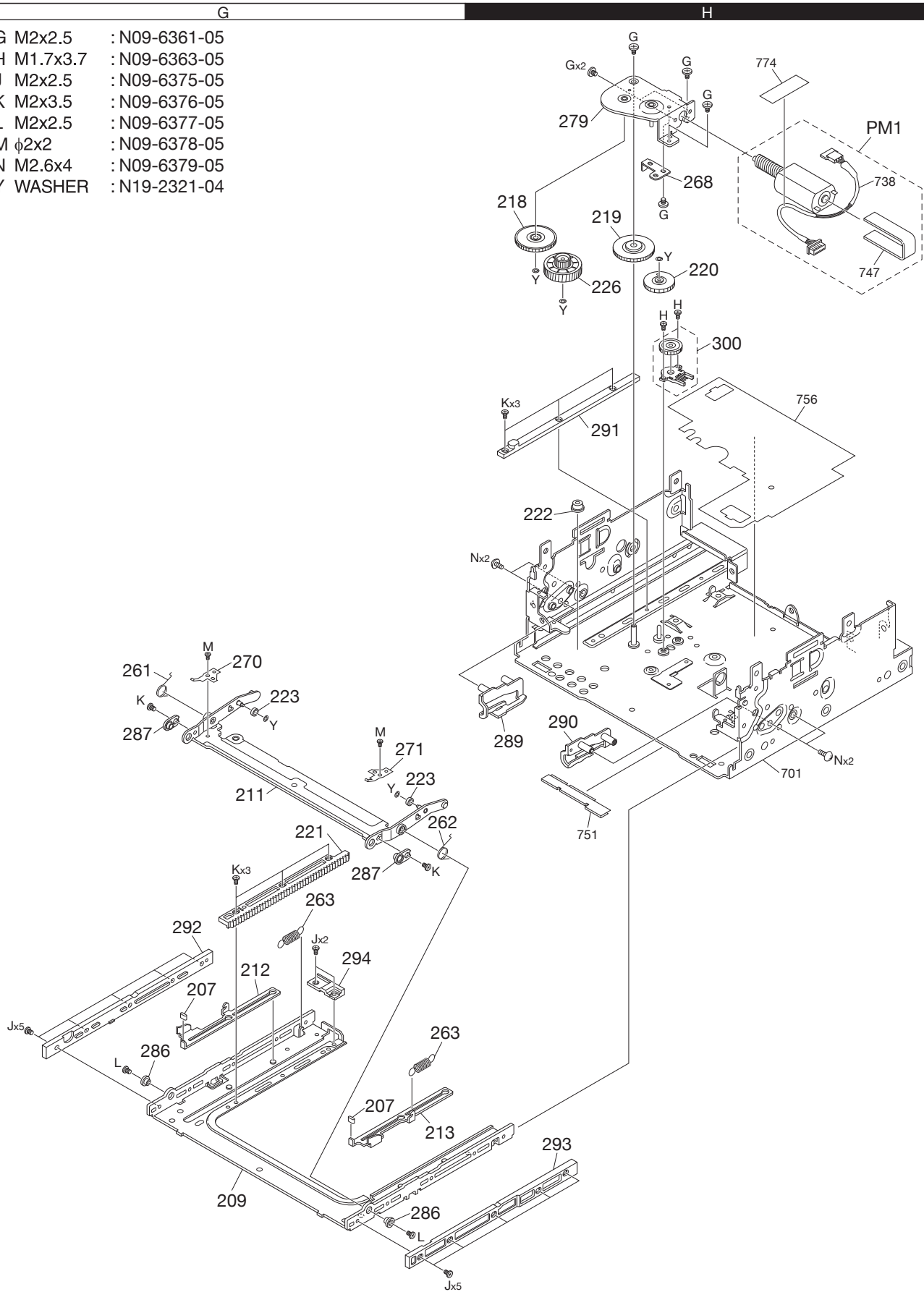
EXPLODED VIEW (CHASSIS ASSY)

- G M2x2.5 : N09-6361-05
- H M1.7x3.7 : N09-6363-05
- J M2x2.5 : N09-6375-05
- K M2x3.5 : N09-6376-05
- L M2x2.5 : N09-6377-05
- M ϕ 2x2 : N09-6378-05
- N M2.6x4 : N09-6379-05
- Y WASHER : N19-2321-04

1

2

3



Parts with the exploded numbers larger than 700 are not supplied.